

LIBRA LE60

Electronic modular cylinder



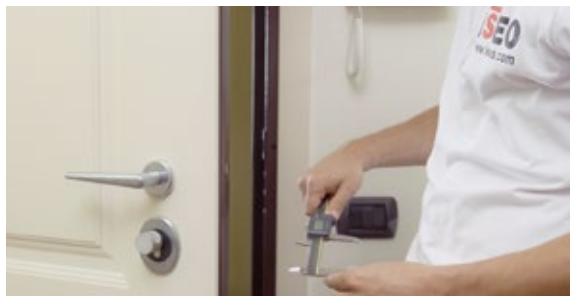
ISEO[®]
ULTIMATE ACCESS TECHNOLOGIES

Libra LE60



The flexible, easy to use, secure and stable LE60 platform by ISEO extends to Libra. Libra is the RFID electronic cylinder which can be used with Argo and V364 access control system by ISEO.

JUST IN TIME SOLUTION

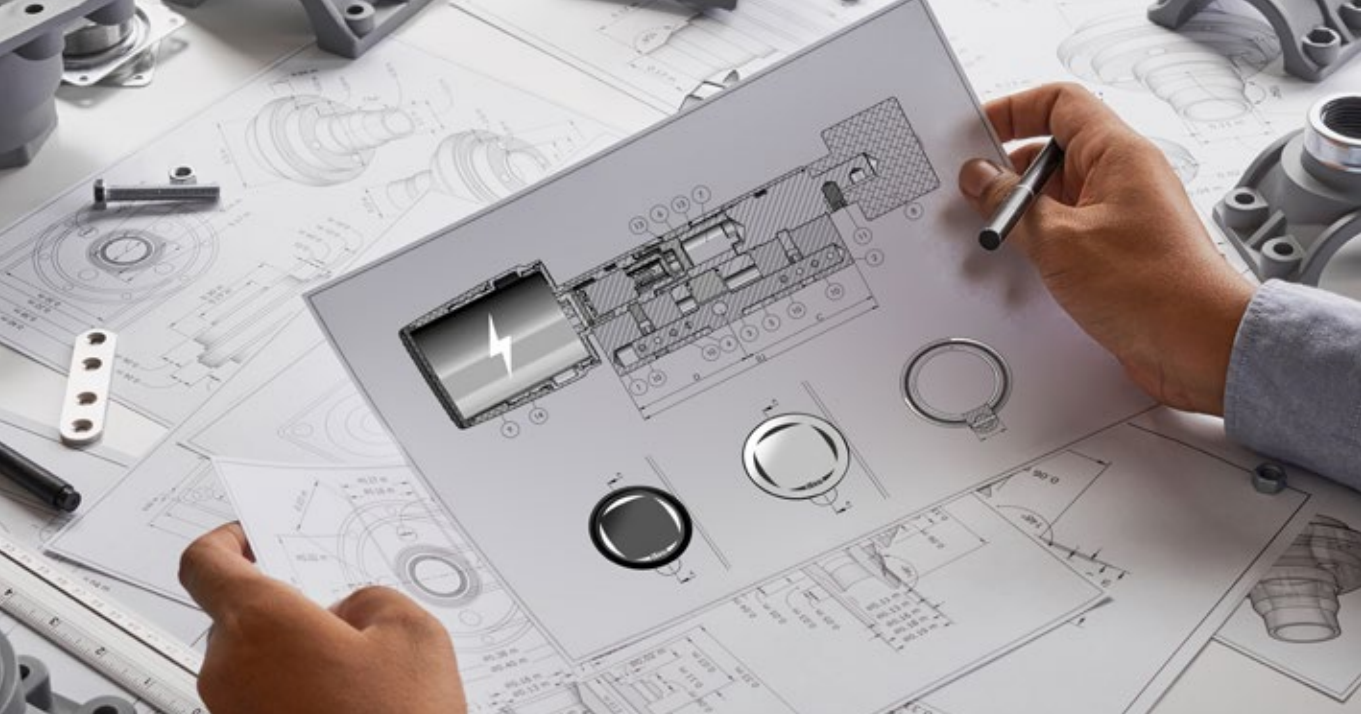


Libra LE60 easily adapts to any door thickness and lock position with no need of preliminary door inspection. You don't need to know the required cylinder dimensions in advance. Libra LE60 reduces the time and costs of service to customers providing an instant solution to customer's needs.



MORE BUSINESS LESS STOCK

Libra LE60 enables many business opportunities with minimal stock. Moreover, ISEO offers two different types of demo cases, which show the ease of assembly of the product and the several dimensions and finishes available.



STANDARD BATTERY CR123 3V (LiMnO_2)

Libra LE60 is shipped with FDK CR17335EF battery. FDK CR17335EF battery is also available as spare part in the ISEO Argo and V364 access control systems catalogues.

FDK CR17335EF allows Libra LE60 working in the temperature range: -20°C to $+70^{\circ}\text{C}$.



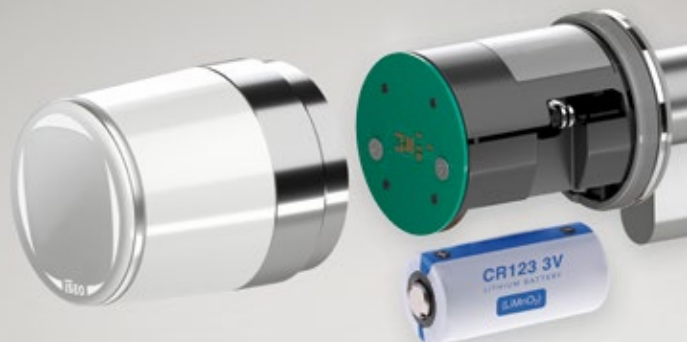
RECOMMENDED COMMERCIAL BATTERIES CR123 3V:

VARTA CR123A - ENERGIZER 123 - PANASONIC POWER PHOTO CR123A - DURACELL CR123
With these batteries, operation of Libra LE60 is ensured at a temperature range of 0°C to $+70^{\circ}\text{C}$.

BATTERY STATUS

Libra LE60 battery life is 2 years, with an average of about 20 openings per day (temperature to 20°C).

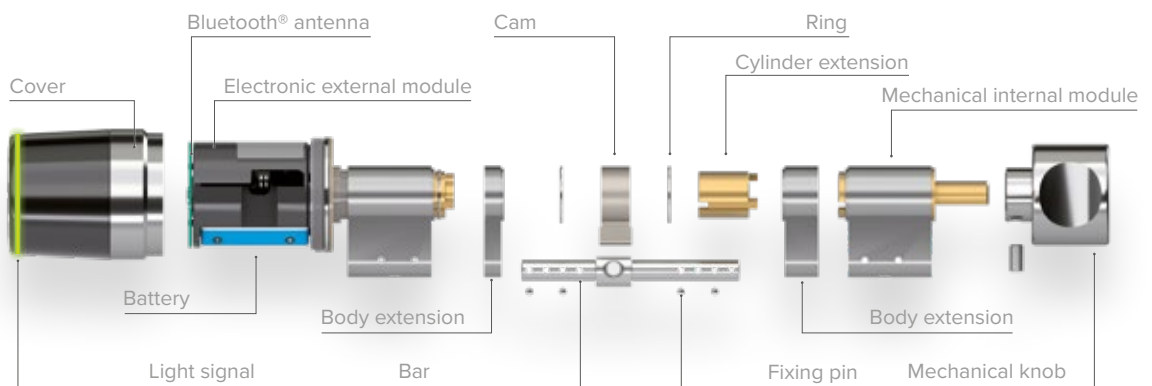
A light signal located at the front of the electronic knob indicates when the battery charge is low and therefore it should be replaced.





LIBRA LE60 COMPONENTS

Libra LE60 is based on the LE60 platform by ISEO allowing the use of the same assembling methodology and tools of the mechanical modular systems for CSF and CSR cylinders series by ISEO. Since Libra LE60 has a different core mechanism from modular systems for CSR and CSF, most of the mechanical components are specific to Libra LE60.



DIFFERENT CONFIGURATIONS

LE60 platform by ISEO is in constant expansion, available in different configurations, and meets different market requirements.



SINGLE PROFILE



INTERNAL MECHANICAL KNOB



DOUBLE ELECTRONIC KNOB



SHORTENABLE SHAFT

**ULTIMATE ACCESS TECHNOLOGIES
TO UNLOCK YOUR FREEDOM TO MOVE.**





ISEO Serrature SpA is constantly improving its security solutions, so the information contained in marketing materials is subject to change without notice and does not represent any commitment on the part of ISEO Serrature SpA. ISEO Serrature SpA assumes no responsibility or liability for any errors or inaccuracies that may appear in this documentation.

MIFARE is a registered trademark owned by NXP Semiconductors. iOS is a mobile operating system developed by Apple Inc. iPhone is a smartphone range designed and marketed by Apple Inc. Apple Watch is a smartwatch designed, developed, and marketed by Apple Inc. Android is a mobile operating system developed by Google Inc. Linux is a family of free and open-source software operating systems. Bluetooth® is a wireless technology designed and marketed by the Bluetooth® Special Interest Group.

001055.UK - 07/2022.

Non-contractual document. Subject to change.
Images for illustrative purposes only.

ISEO Serrature s.p.a.
Via San Girolamo, 13
25055 Pisogne BS, Italy
Tel. +39 0364 8821
iseo@iseo.com

iseo.com