

# MA1A

Connected  
Smart Handle



**ISEO**<sup>®</sup>  
ULTIMATE ACCESS TECHNOLOGIES

CONNECTED

# MA1A



MA1A Connected Smart Handle from ISEO is a highly versatile smart lock. It is compact, easy to use and it features a sleek, contemporary design that is both stylish and functional. It can be installed quickly and effortlessly and it is the perfect retrofit solution for internal doors, as it is compatible with all DIN type mechanical locks. MA1A together with Argo, V364, LSA or Luckey software provides the ideal solution for all needs.

## OPENING VIA RFID AND BLUETOOTH

MA1A has everything you need: RFID and Bluetooth communication channels. RFID technology (Radio Frequency Identification) allows to read the most common types of RFID cards, tags and keyfobs, such as Mifare Classic and DESFire. The Bluetooth communication channel allows to open the door, manage the access rights and update the software, simply from your smartphone.



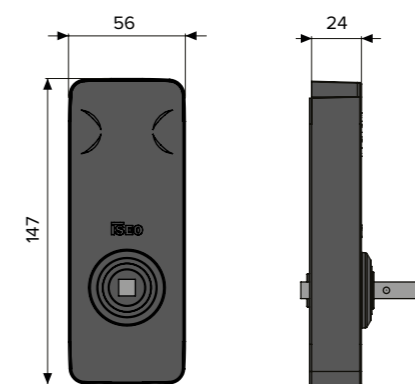
## COMPATIBLE SOFTWARE

MA1A is compatible to all ISEO software solutions: Argo, V364, Luckey and LSA. Argo is ISEO smart solution for residential and small commercial targets. The simplicity and flexibility both of the installation and of the app make it accessible to everyone. V364 is an easy-to-use web-based access control system for commercial applications allowing to manage both on-line and off-line doors for small and medium sized facilities. Simple design, installation and commission, Luckey is Sofia cloud native software solution, specifically designed for the estate market (coworking, coliving, condominium...). LSA is a secure, customizable software suite, specifically focused on the utilities segment: electricity, gas, water, solar, wind, telecom. Thanks to its high level of integration, big data analysis, statistics and flexibility is the ideal solution for system integrators and PropTech in general.

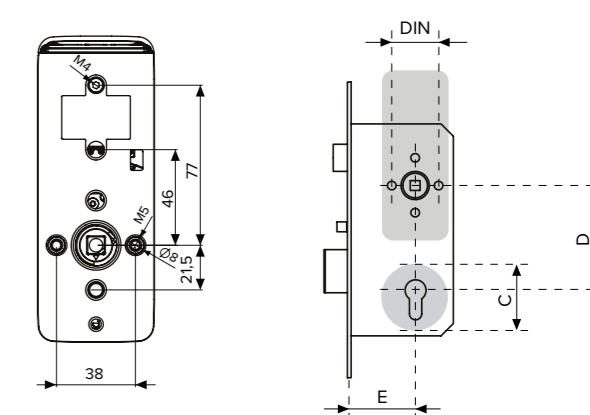
## TECHNICAL SPECIFICATIONS

MA1A is compatible to all European DIN locks and thanks to the small dimensions is ideal for every access solution. The multi holes fixing plate, on the back of MA1A, allows great flexibility during installation, making it suitable for different applications.

### MA1A dimensions



### Installation



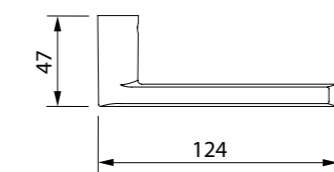
### Compatibility with mechanical locks:

- Backset min = 35mm (E)
- Min center-holes distance = 70mm (D)
- Escutcheon max diameter = 52mm (C)
- DIN holes = 38mm (DIN)
- Max handle rotation angle = 40°

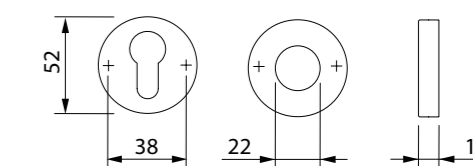
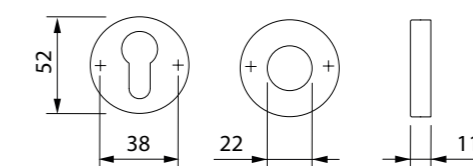
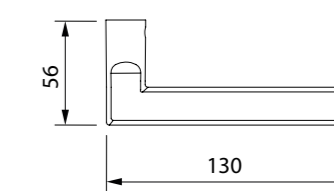
Power supply via 3 AAA-type 1.5V alkaline batteries

### Handle dimensions

#### YUMA



#### URACAN



### PROTECTION GRADE: IP54

MA1A is IP54 grade, that means protection from limited dust ingress and water spray from any direction.

### BATTERY LIFE

Battery life follows the same high standard targeting of all ISEO smart devices: up to 2 years or 20.000 openings at 20°C \*

### COMPLIANCE DIRECTIVES

MA1A complies with the most common and required European directives: CE, UKCA, EN16867:2020 and EN1634-1

\* Depending on usage, environment, options

### MINIMUM SIZE

The small dimensions allow versatility and ease of installation.

### BATTERY POWERED

Battery power avoids costly wiring and allows much flexibility.

### THE IDEAL SOLUTION

MA1A is the ideal solution for all those who need a simple, versatile, minimal but functional electronic lock.

### OFFICES



### CO-WORKING



### RETAIL



### RESIDENTIAL



### LIGHT COMMERCIAL



### HOSPITALITY



## Safe Touch

## ANTIBACTERIAL PROTECTION

Safe Touch is ISEO antibacterial and antimicrobial protection that can be applied to MA1A handles. It's a transparent top coating that reduces 99,99% of bacteria thanks to the silver ions, improving people hygiene and health and avoiding viruses spread for the entire life of the product. It is guaranteed even in case of surface scratches and it does not require any maintenance. MA1A handles with Safe Touch antibacterial protection are easy to recognize thanks to the Safe Touch laser-printed shield logo on the handle.

MA1A is available with 2 different stylish handles, to be separately ordered, in 2 different colours:

### YUMA



### URACAN



Both handles are also available with Safe Touch option: ISEO antibacterial protection.



**ULTIMATE ACCESS TECHNOLOGIES  
TO UNLOCK YOUR FREEDOM TO MOVE.**





001112.UK - 06/2023.

Non-contractual document. Subject to change.  
Images for illustrative purposes only.

**ISEO Serrature s.p.a.**  
Via San Girolamo, 13  
25055 Pisogne BS, Italy  
Tel. +39 0364 8821  
[iseo@iseo.com](mailto:iseo@iseo.com)

**iseo.com**